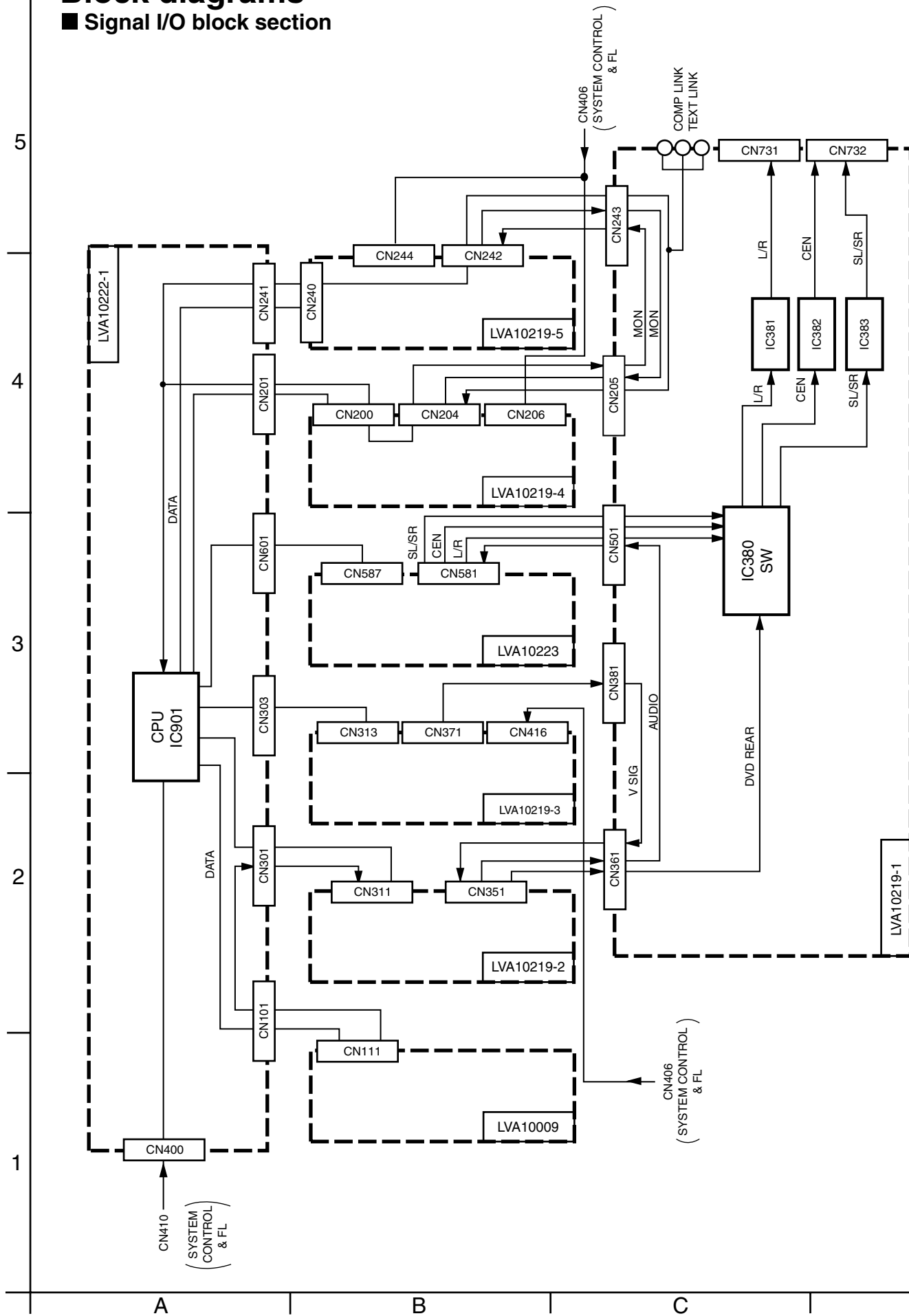
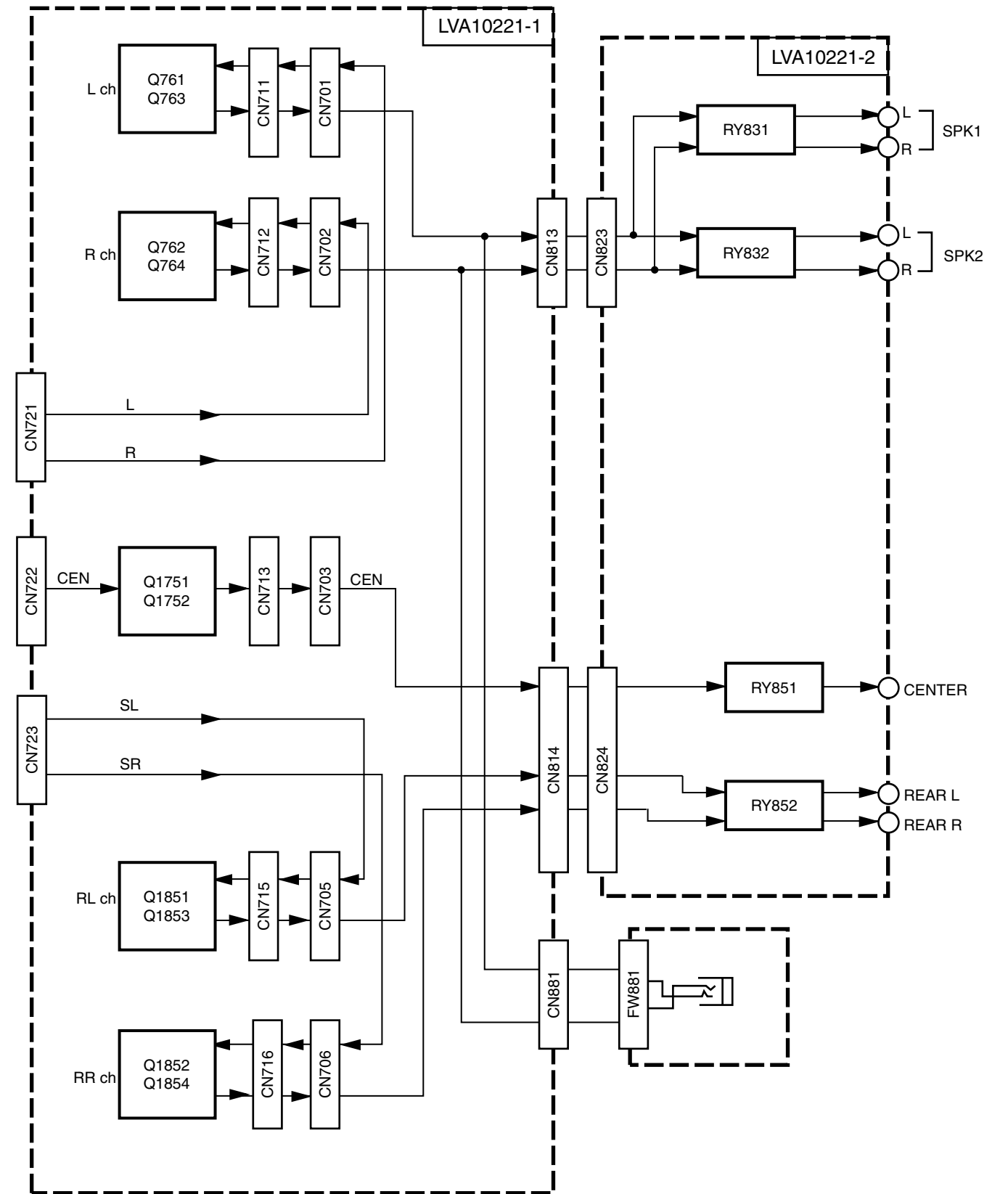


Block diagrams

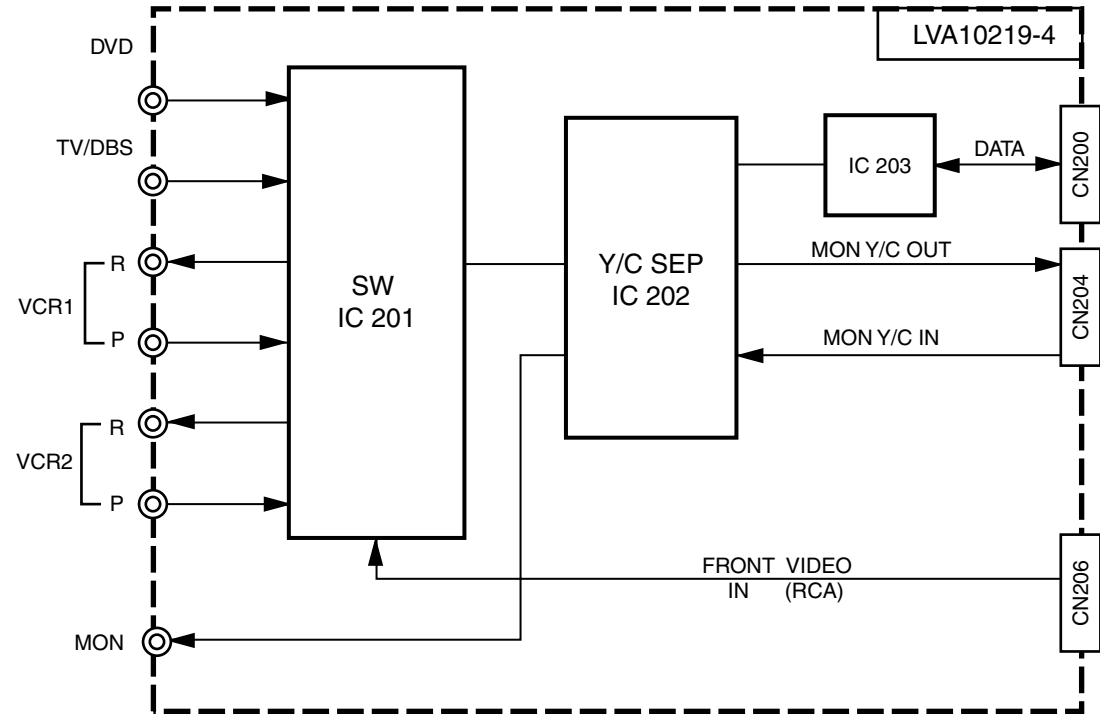
■ Signal I/O block section



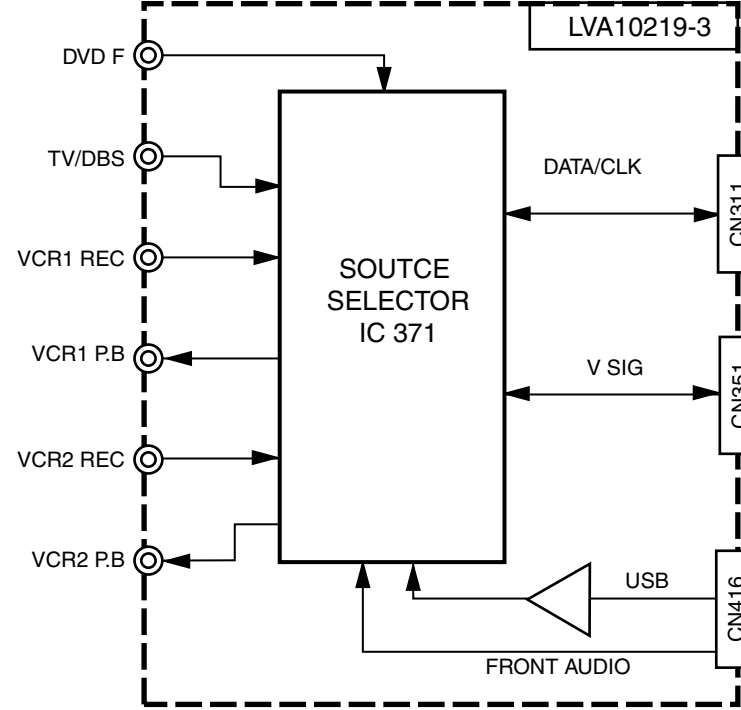
■ Main section



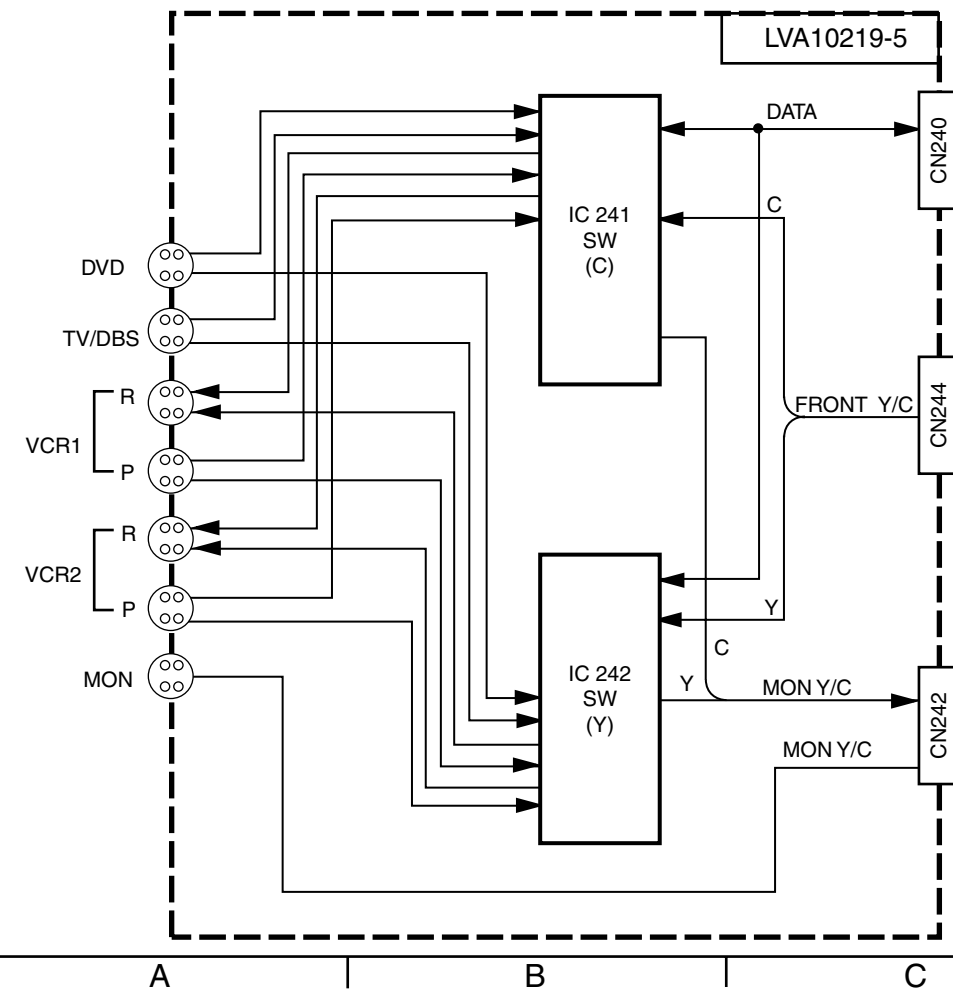
■ Video section



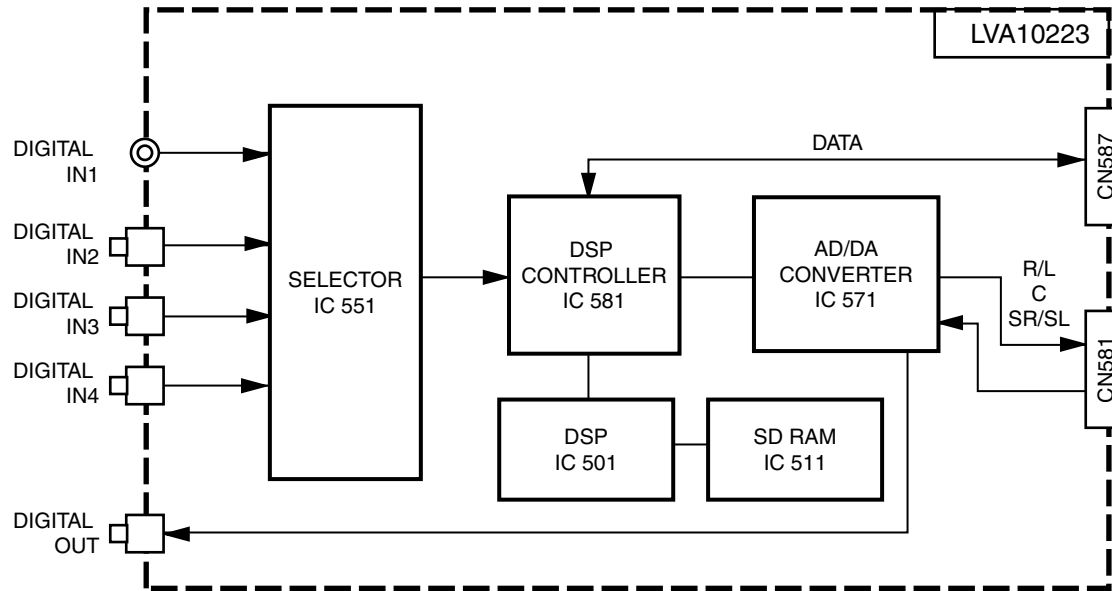
■ Video input section



■ S Video section



■ DSP section



5

4

3

2

1

A

B

C

2-2

D

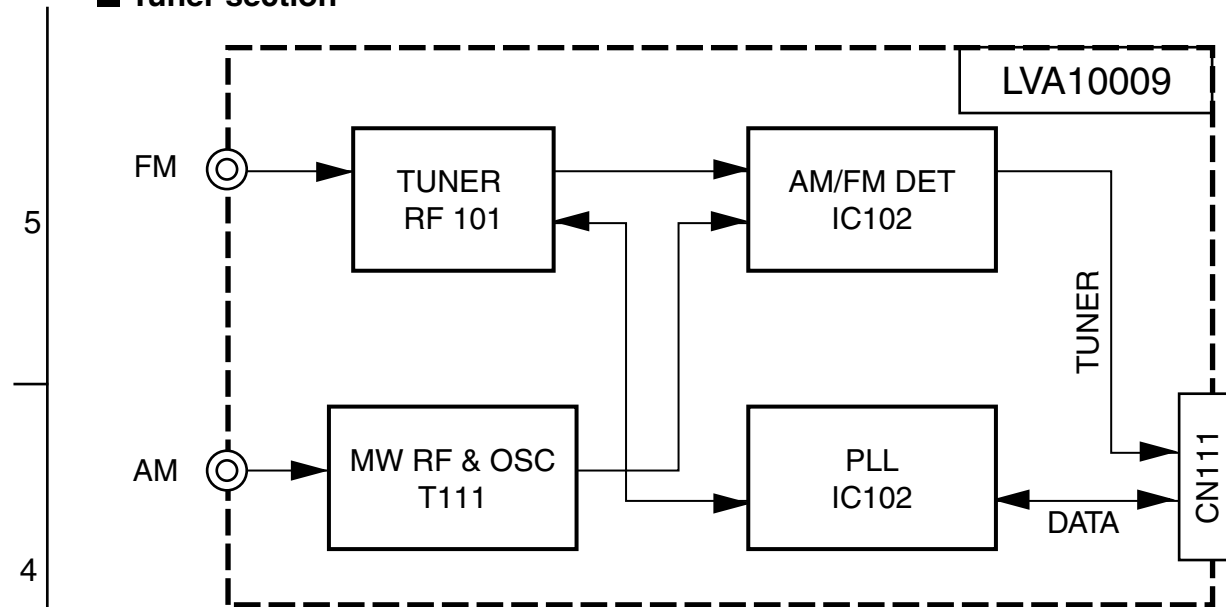
E

F

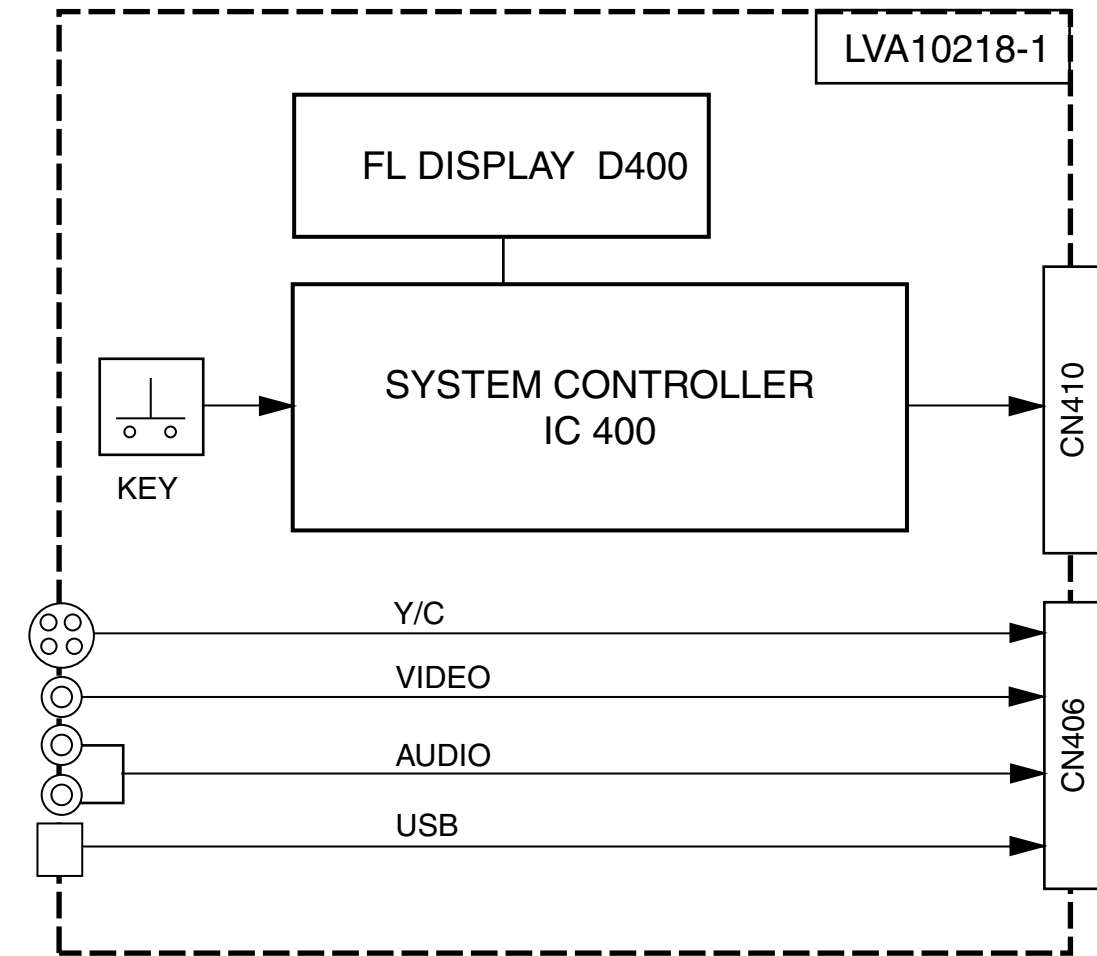
G

H

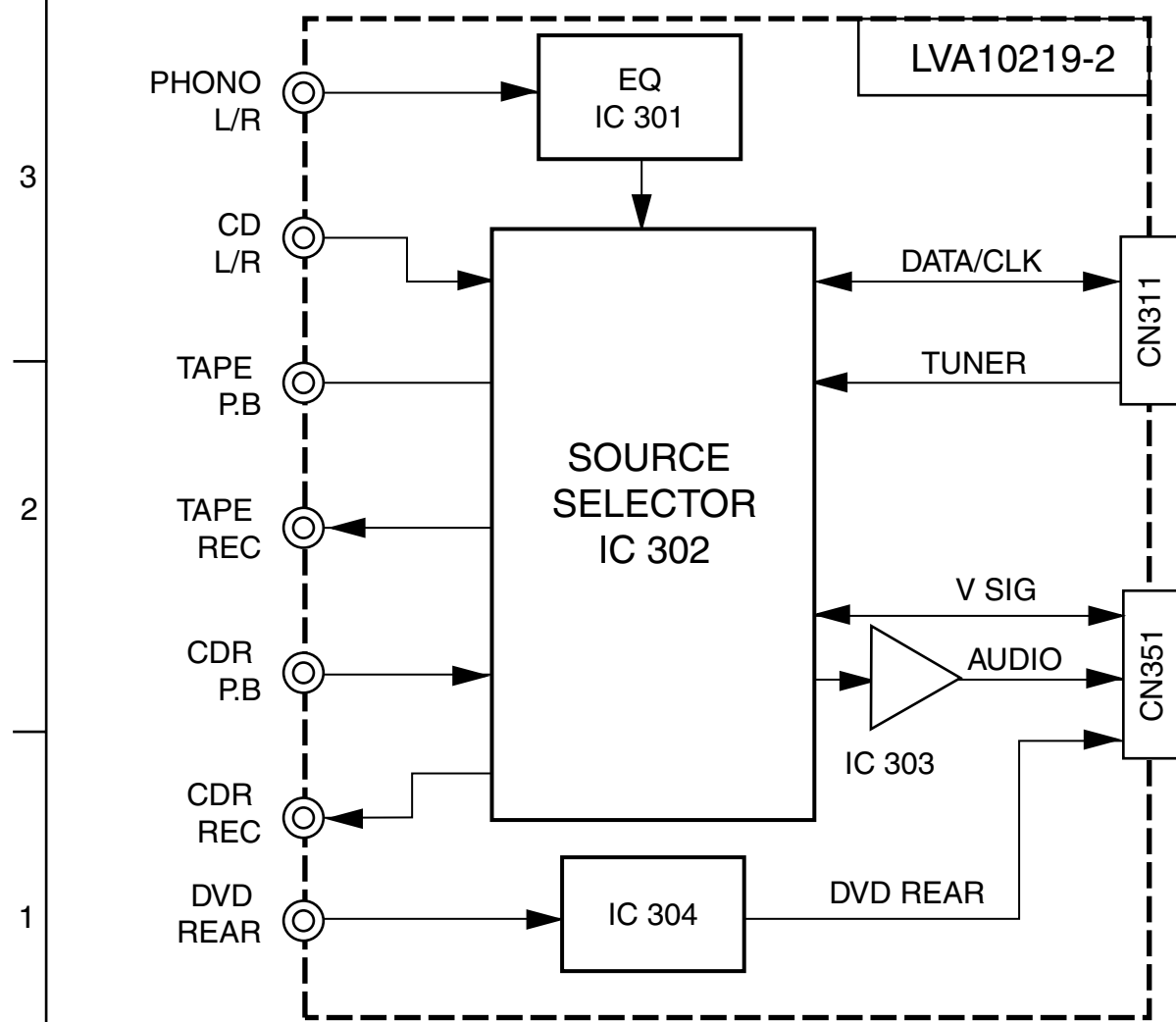
■ Tuner section



■ System control & FL section



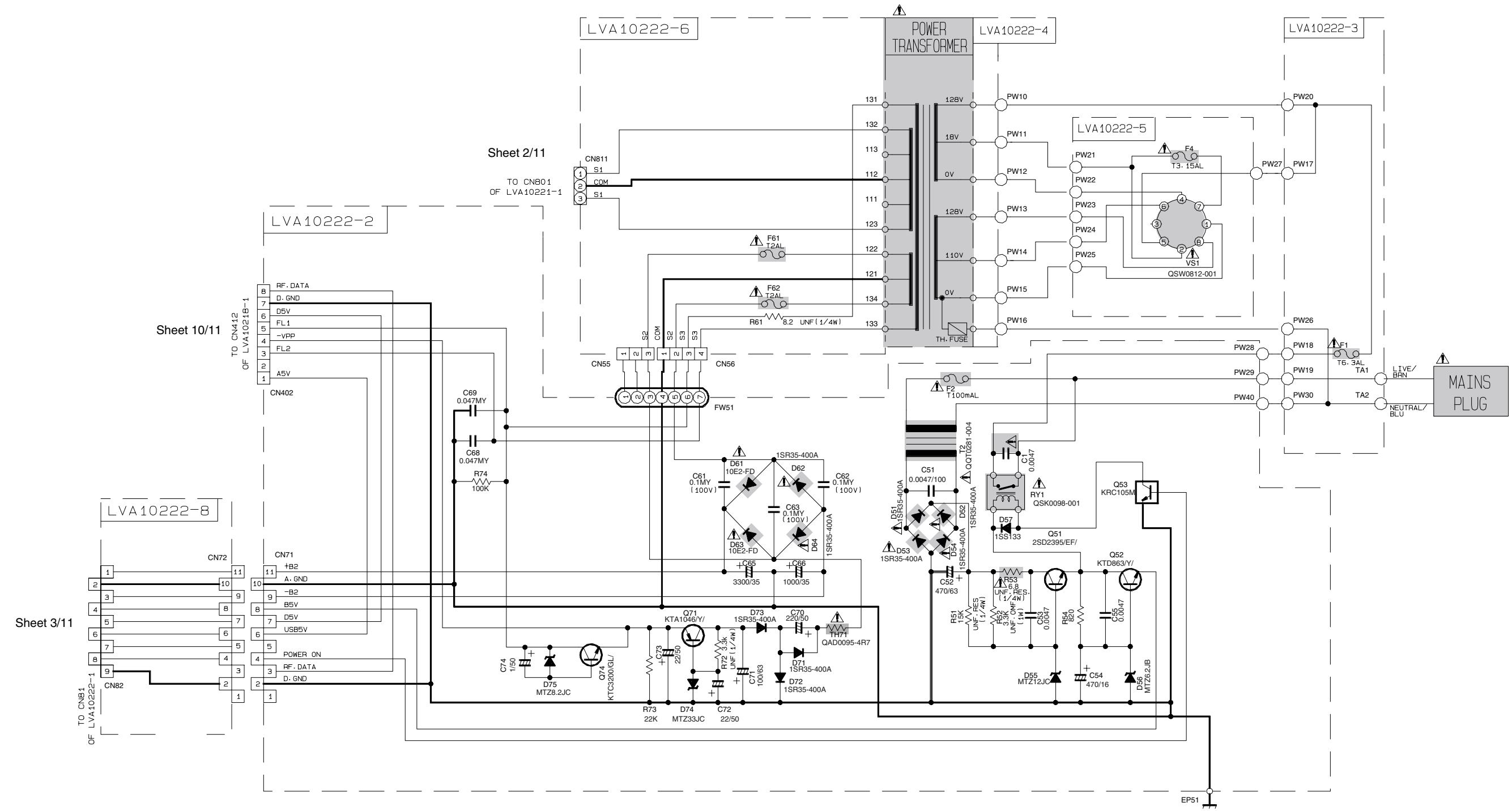
■ Audio input section



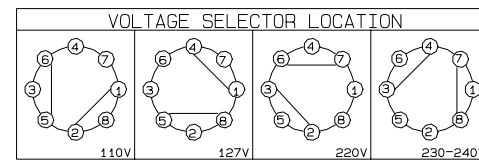
Standard schematic diagrams

Power supply section

5
4
3
2
1



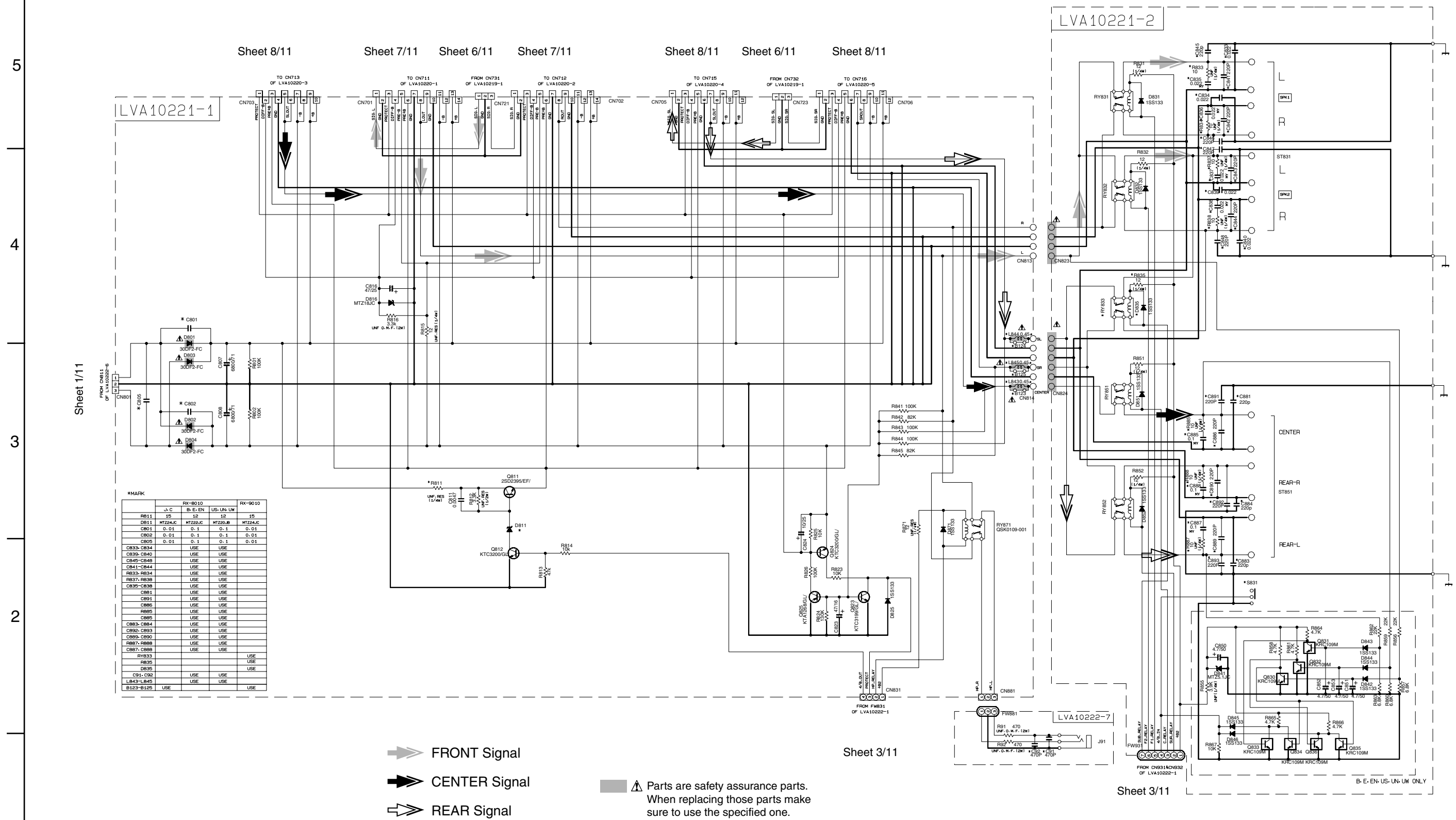
SHEET NUMBER	CIRCUIT DESCRIPTION
1/11	POWER SUPPLY
2/11	MAIN
3/11	AUDIO
4/11	AUDIO SIGNAL INPUT
5/11	VIDEO SIGNAL INPUT
6/11	AUDIO AMP (FRONT CHANNEL)
7/11	AUDIO AMP (CENTER, REAR CHANNEL)
8/11	DSP
9/11	DVD
10/11	SYSTEM CONTROL
11/11	TUNER



▲ Parts are safety assurance parts. When replacing those parts make sure to use the specified one.

A | B | C | 2-4 | D | E | F | G | H

■ Main & Speaker terminal section



■ Audio section

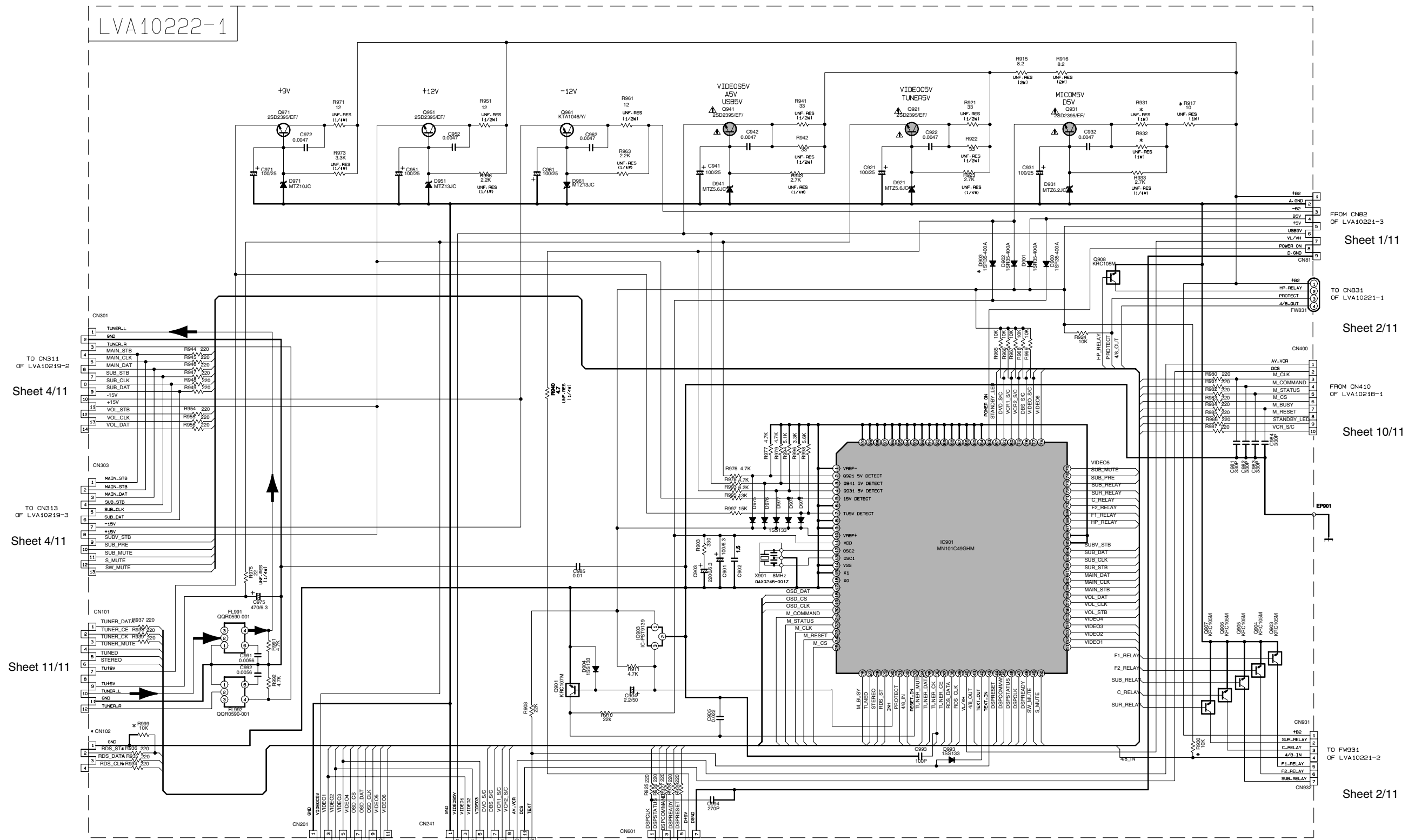
5

4

3

2

1



Sheet 4/11

Sheet 4/11

Sheet 11/11

Sheet 5/11

Sheet 5/11

Sheet 9/11

Sheet 1/11

Sheet 2/11

Sheet 10/11

Sheet 2/11

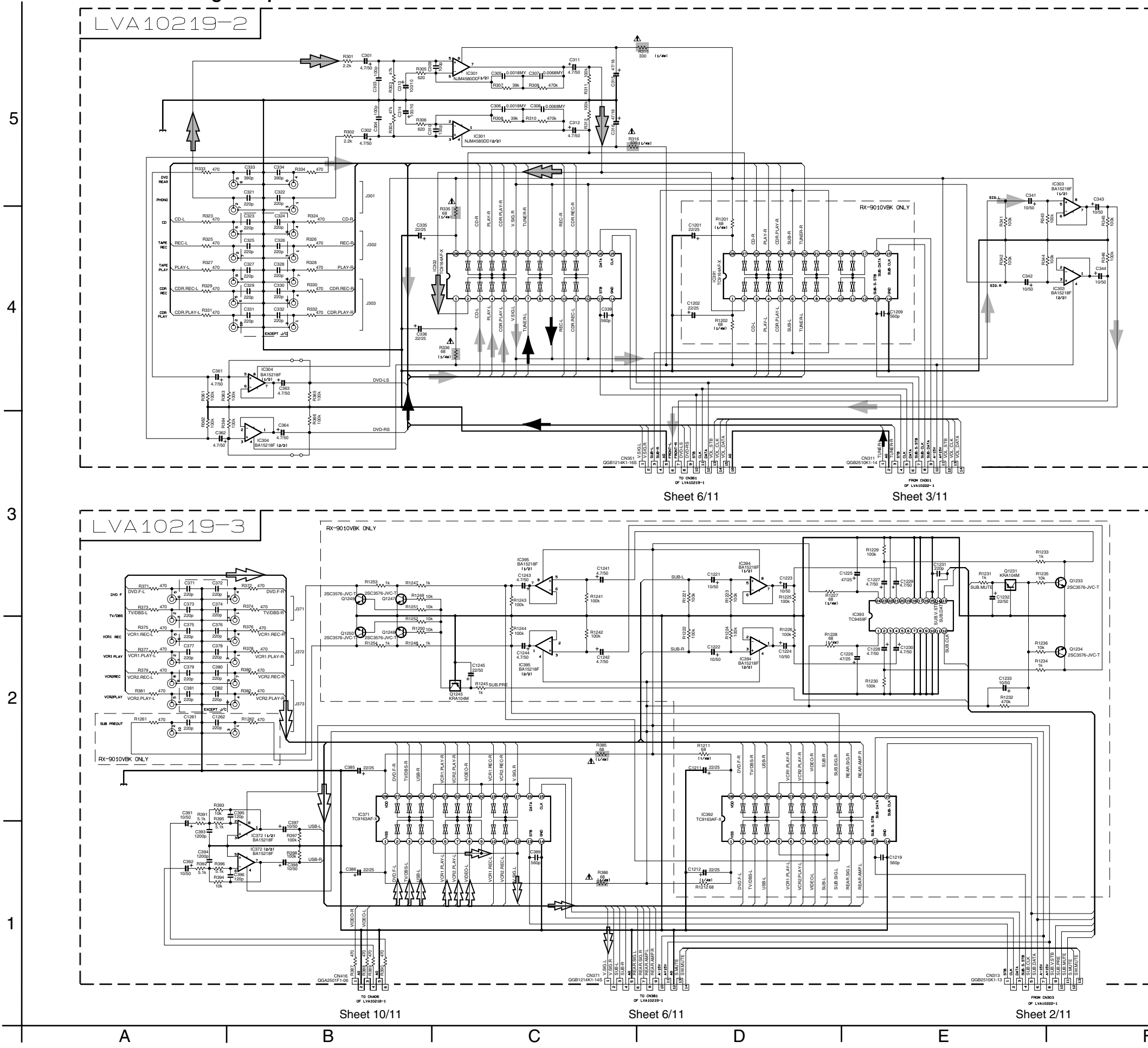
*MARK

	U-C	B-E-EN	US-UN-UW	RX-9010
R930	USE			USE
R939	USE			USE
R934	USE		USE	USE
R935	USE			USE
R936	USE			USE
CN102	USE			SHORT
R917	SHORT	SHORT	USE	SHORT
R931	43	43	43	39
R932	43	43	43	39
D903				USE

➔ TUNER Signal

⚠ Parts are safety assurance parts. When replacing those parts make sure to use the specified one.

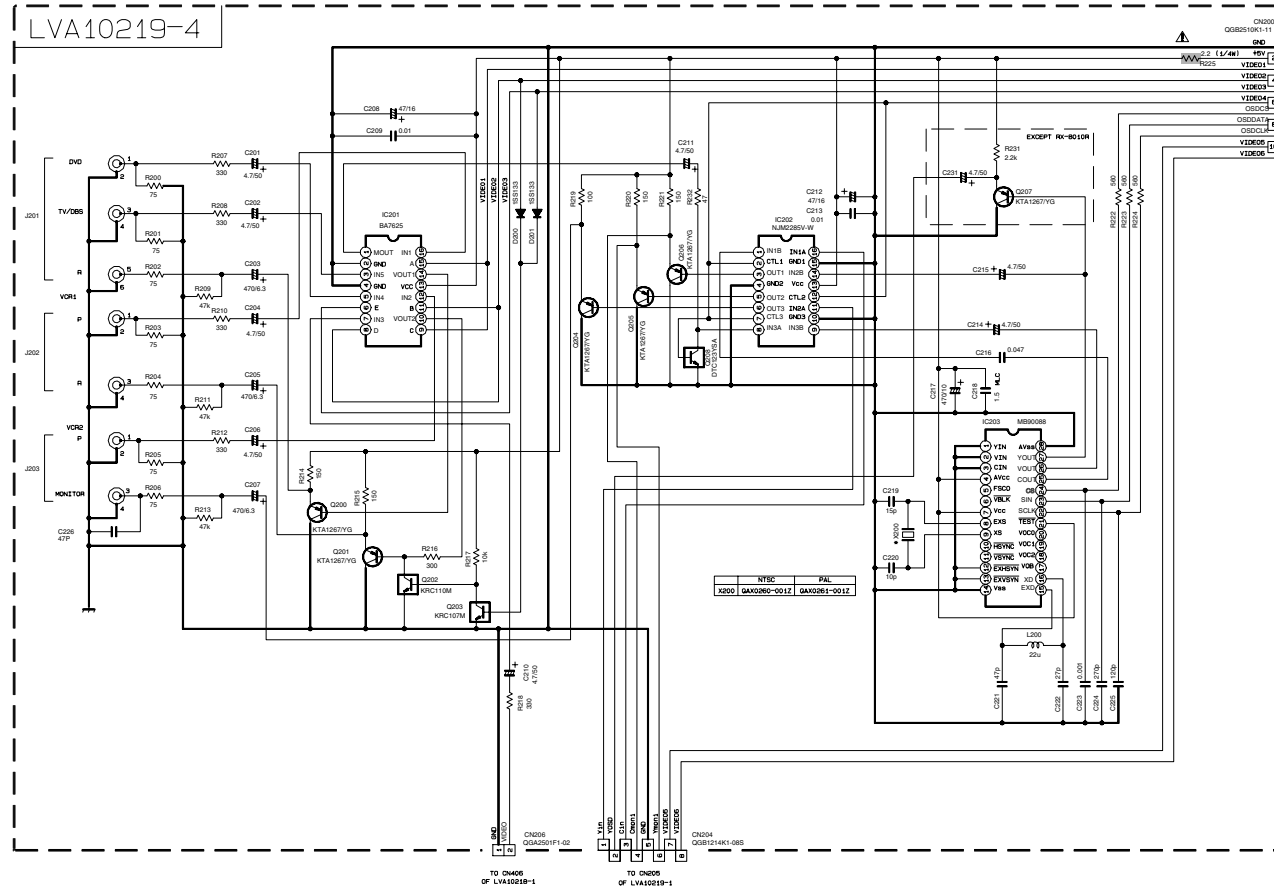
■ Audio / V Audio signal input section



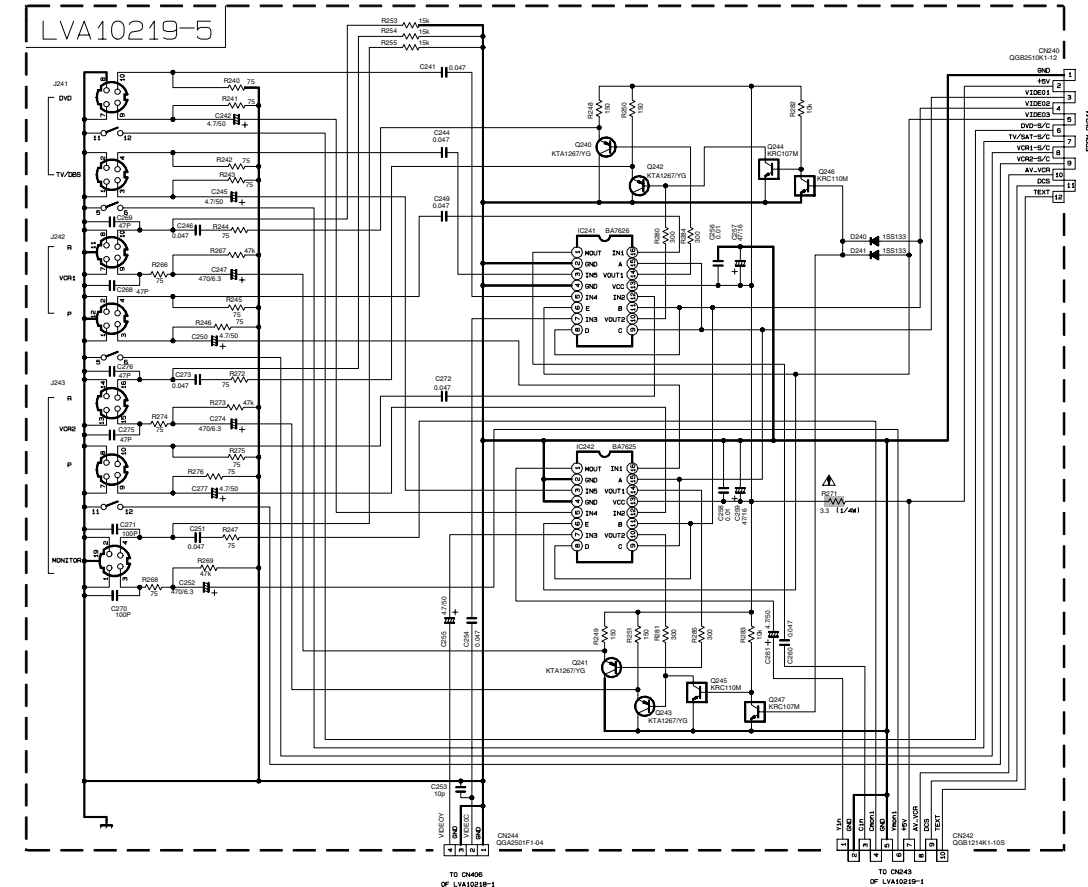
- ➔ AUDIO Signal
- ➔ TUNER Signal
- ➔ PHONO Signal
- ➔ VIDEO AUDIO Signal

⚠ Parts are safety assurance parts.
When replacing those parts make
sure to use the specified one.

Video / S video signal input section



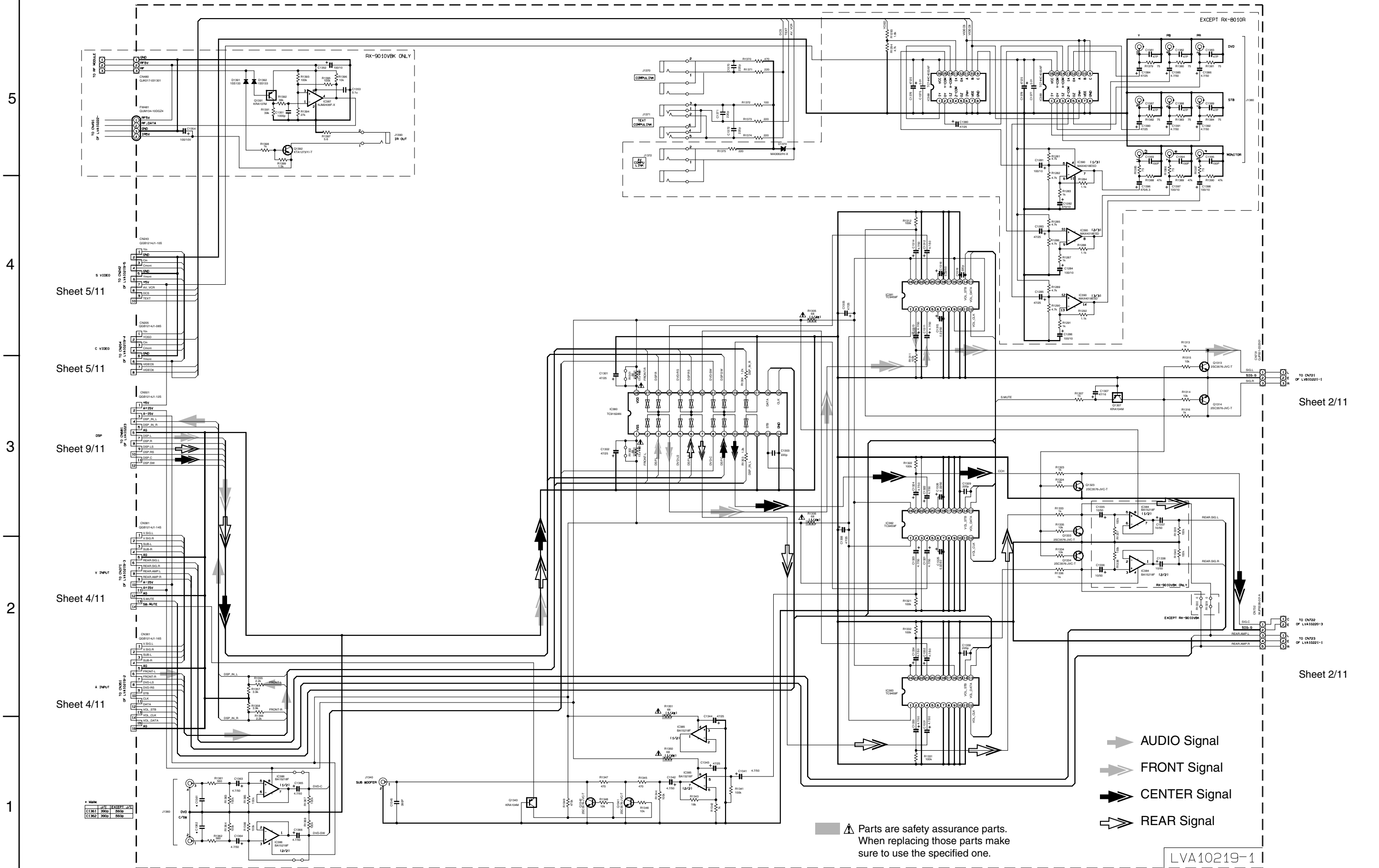
Sheet 3/11



Sheet 3/11

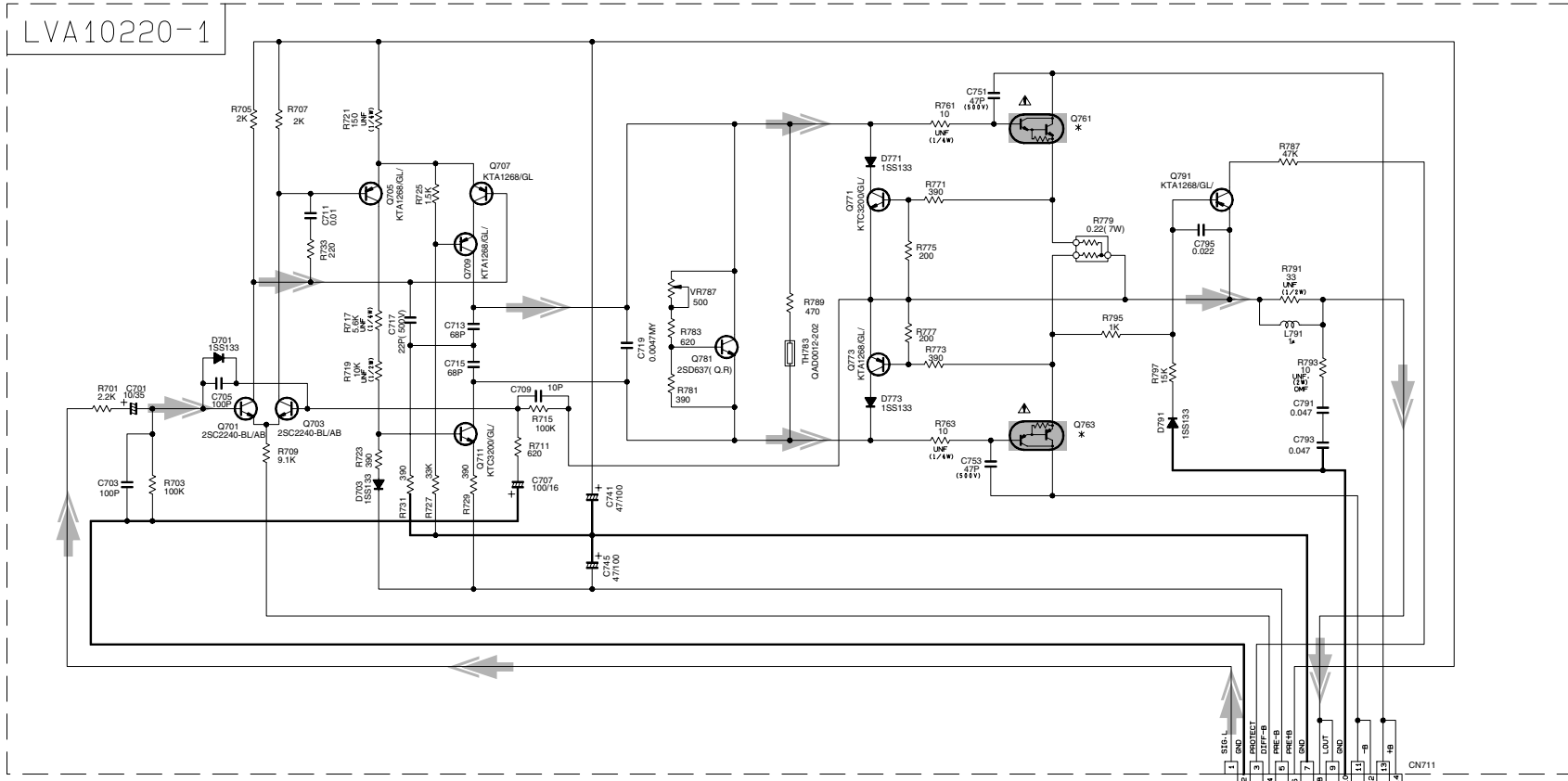
⚠ Parts are safety assurance parts. When replacing those parts make sure to use the specified one.

DVD section

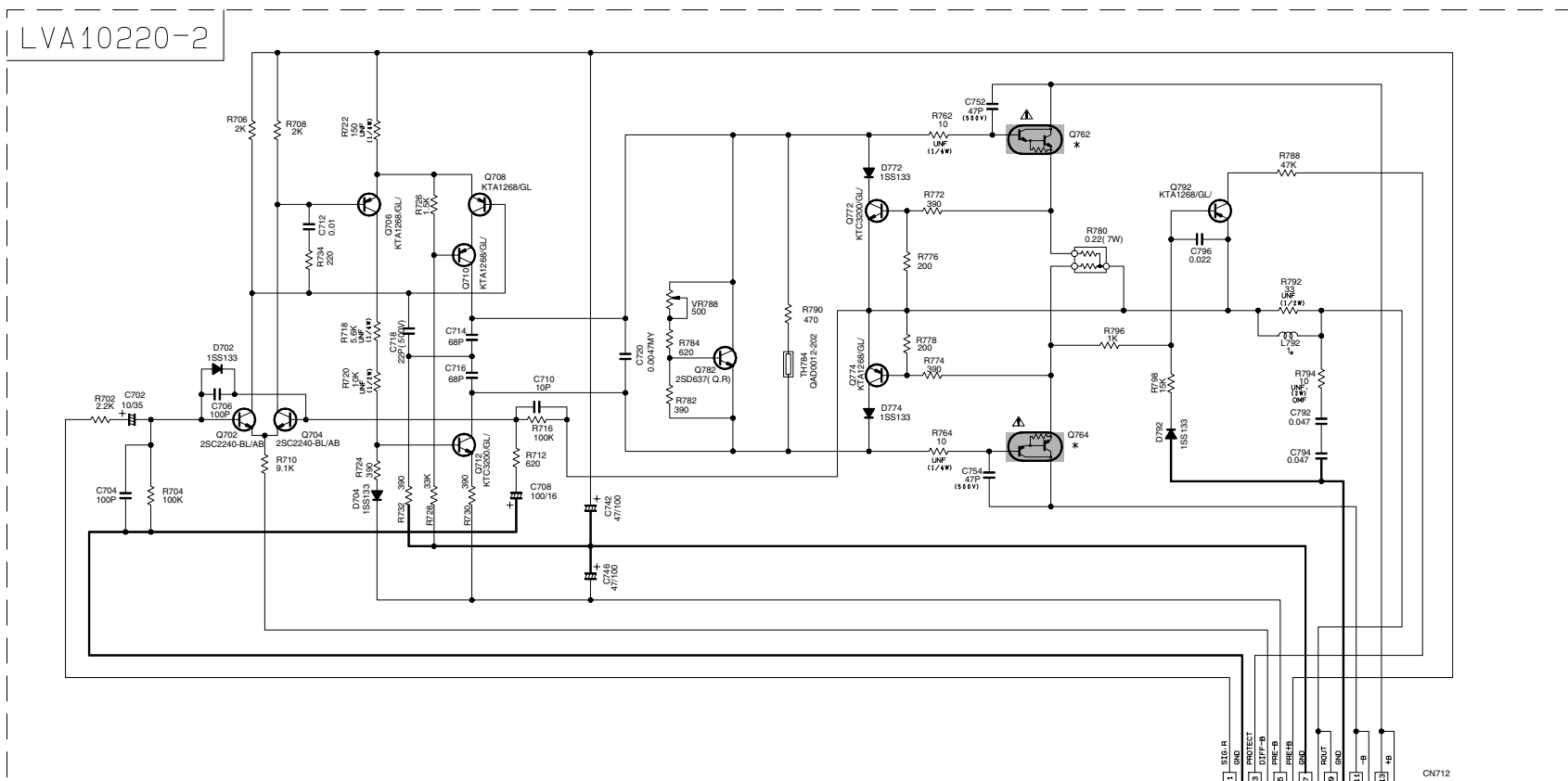


RX-8012VSL/RX-8010VBK

■ Audio amplifier section (1/2)



Sheet 2/11



Sheet 2/11

*MARK

	RX-8010		J-C	RX-9010
	B-E-EN-US-LN-LW			
Q761-Q762	2SD2390/OPV/-F6	2SD2560/OPV/-F6		2SD2560/OPV/-F6
Q763-Q764	2SB1560/OPV/-F6	2SB1647/OPV/-F6		2SB1647/OPV/-F6

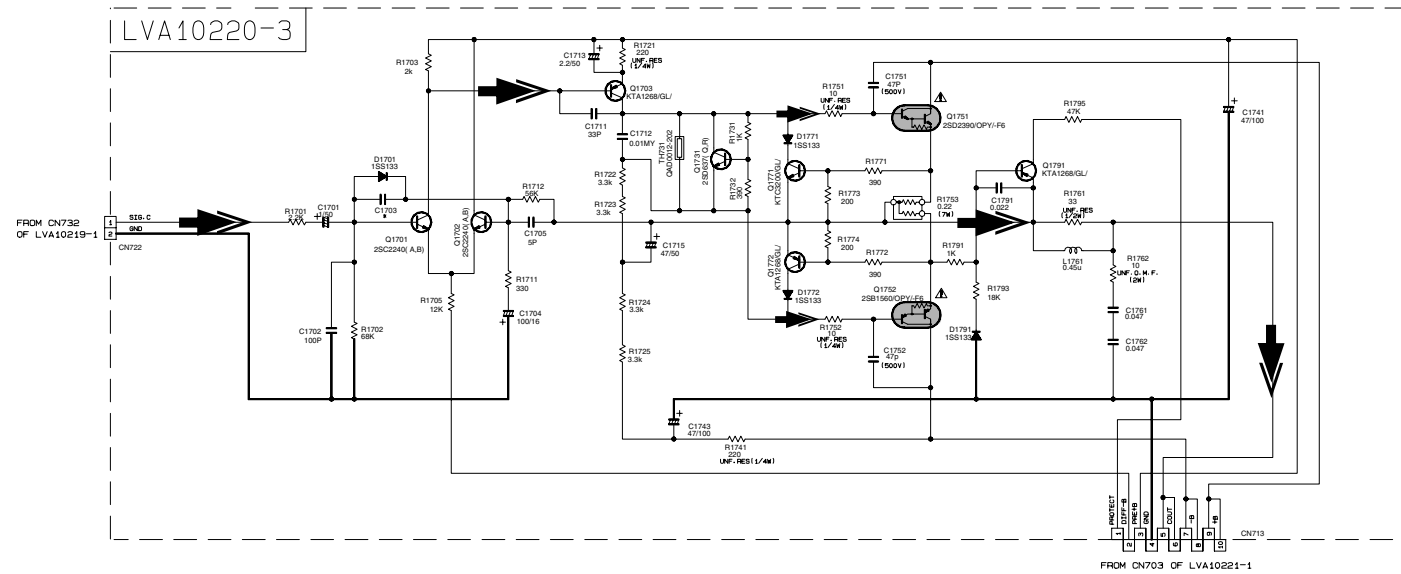
➔ FRONT Signal

⚠ Parts are safety assurance parts. When replacing those parts make sure to use the specified one.

5
4
3
2
1

A B C 2-10 D E F G H

■ Audio amplifier section (2/2)



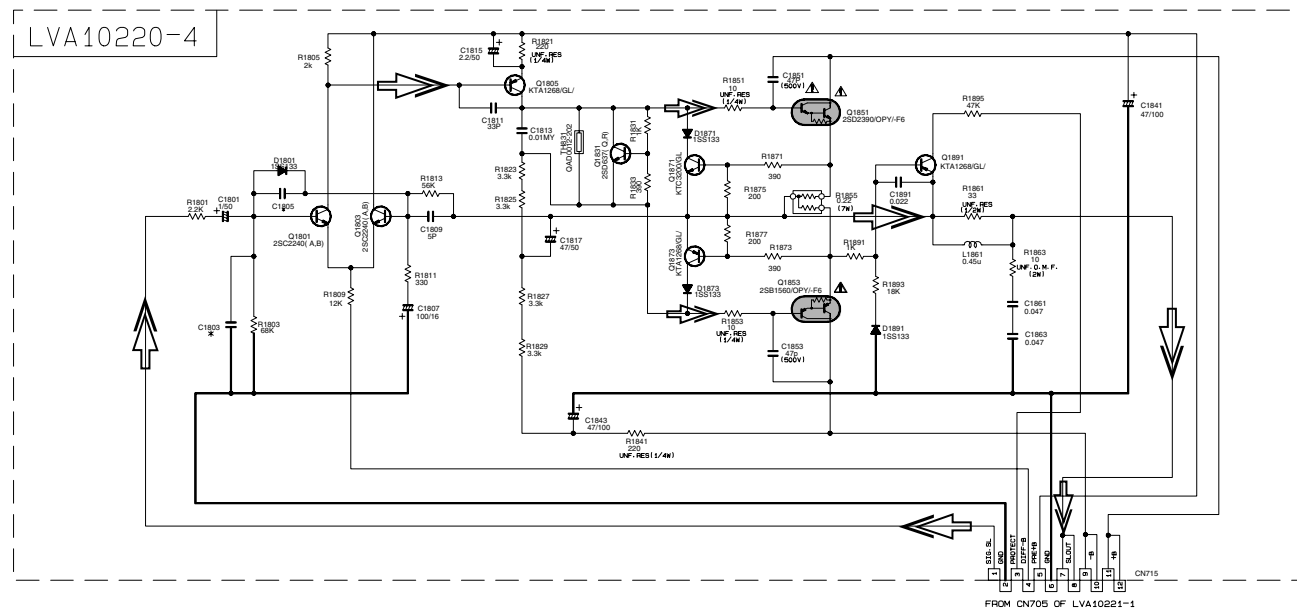
*MARK	RX-8010	RX-9010
C1803, C1804	100P	180P
C1703-C1805, C1806	J/C	EXCEPT J/C
	100P	220P

➡ CENTER Signal

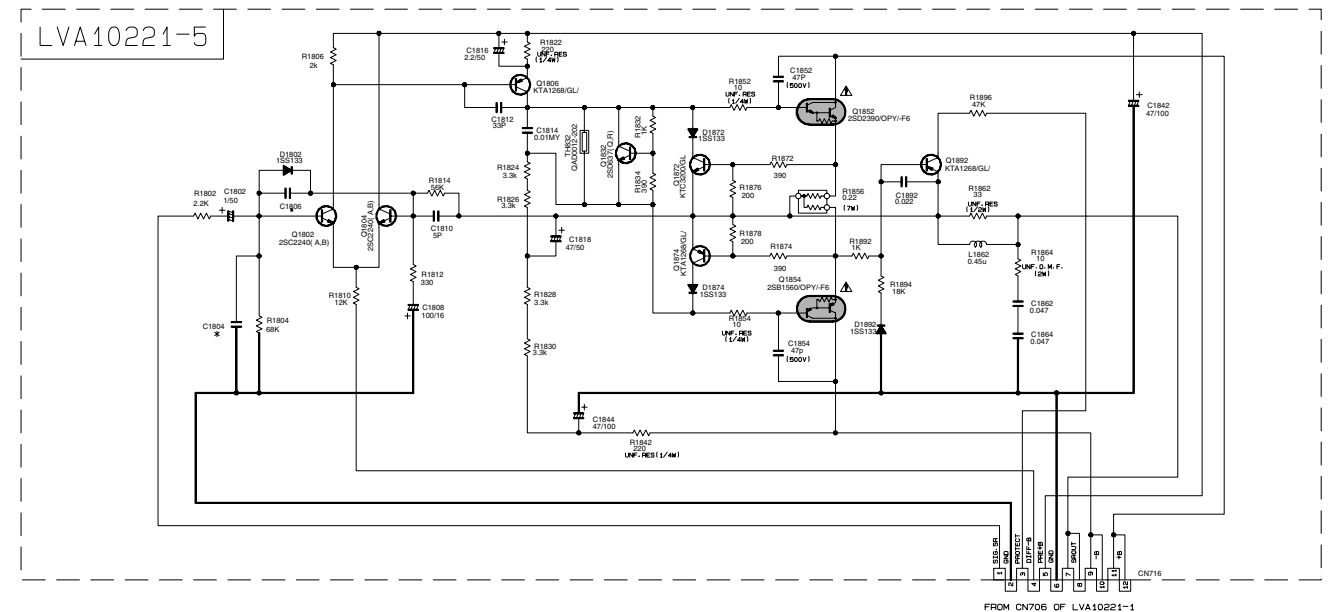
➡ REAR Signal

⚠ Parts are safety assurance parts. When replacing those parts make sure to use the specified one.

Sheet 2/11



Sheet 2/11



Sheet 2/11

DSP section

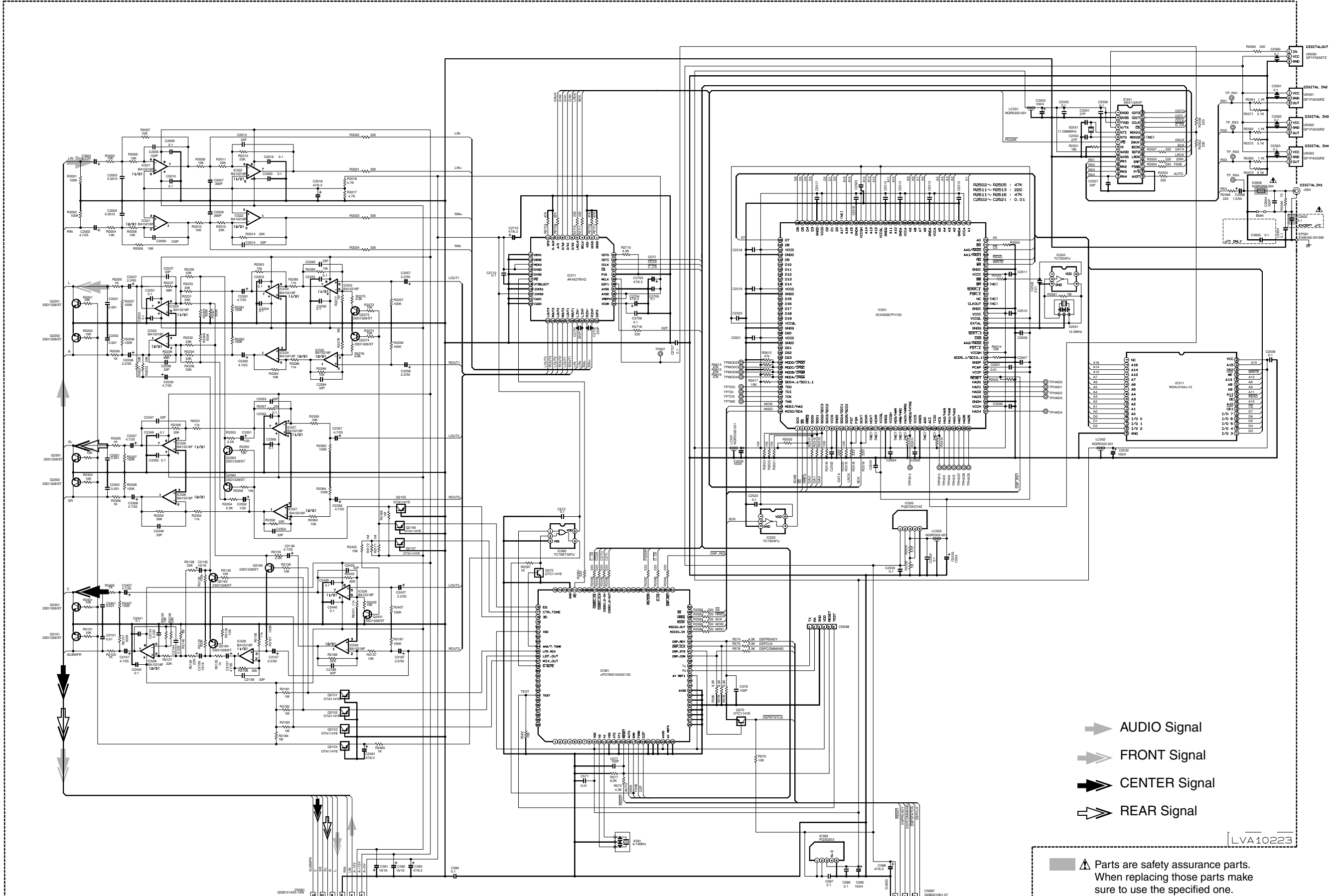
5

4

3

2

1

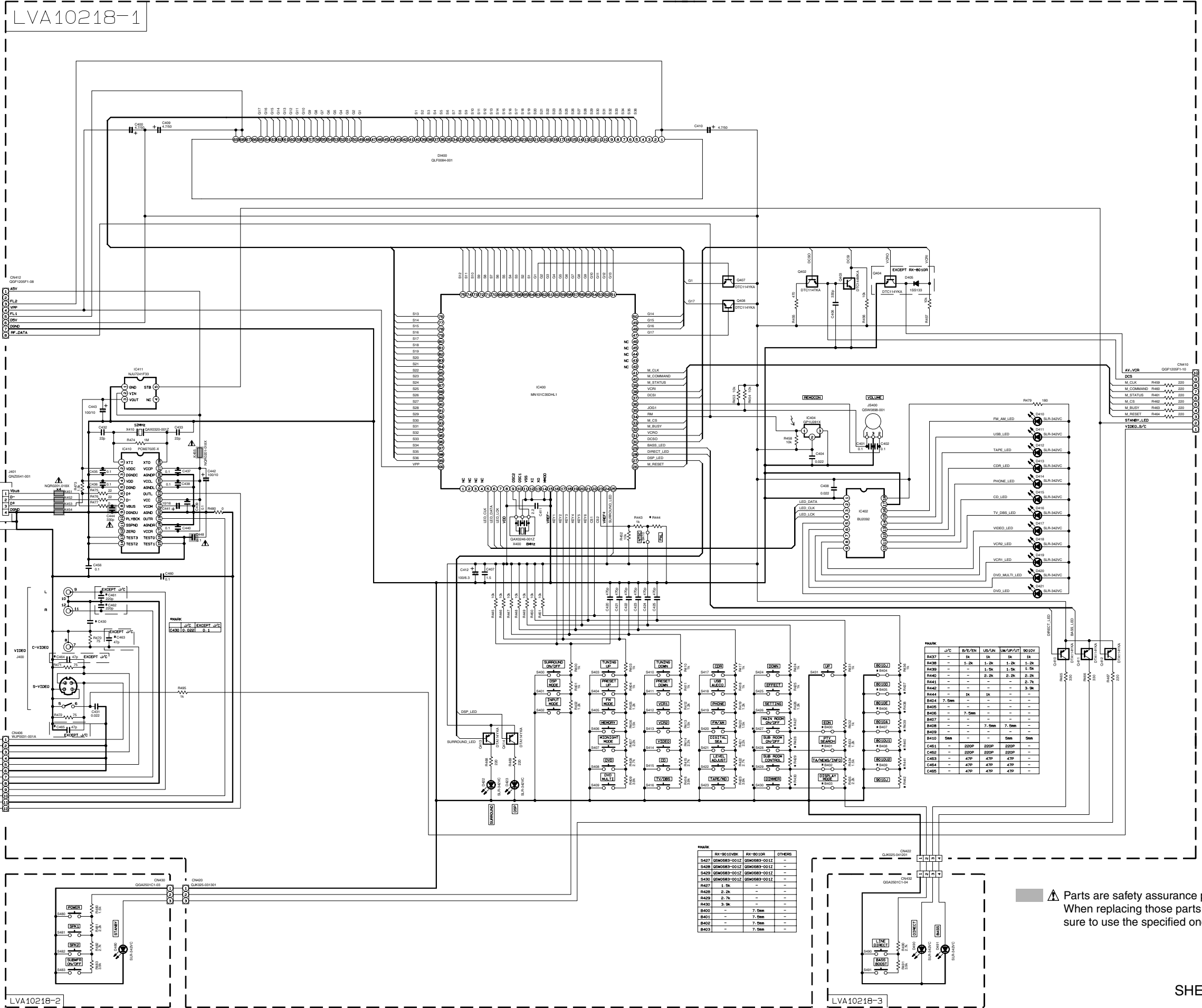


- ➔ AUDIO Signal
- ➔ FRONT Signal
- ➔ CENTER Signal
- ➔ REAR Signal

▲ Parts are safety assurance parts. When replacing those parts make sure to use the specified one.

LVA10223

System control & FL display section



Sheet 1/11

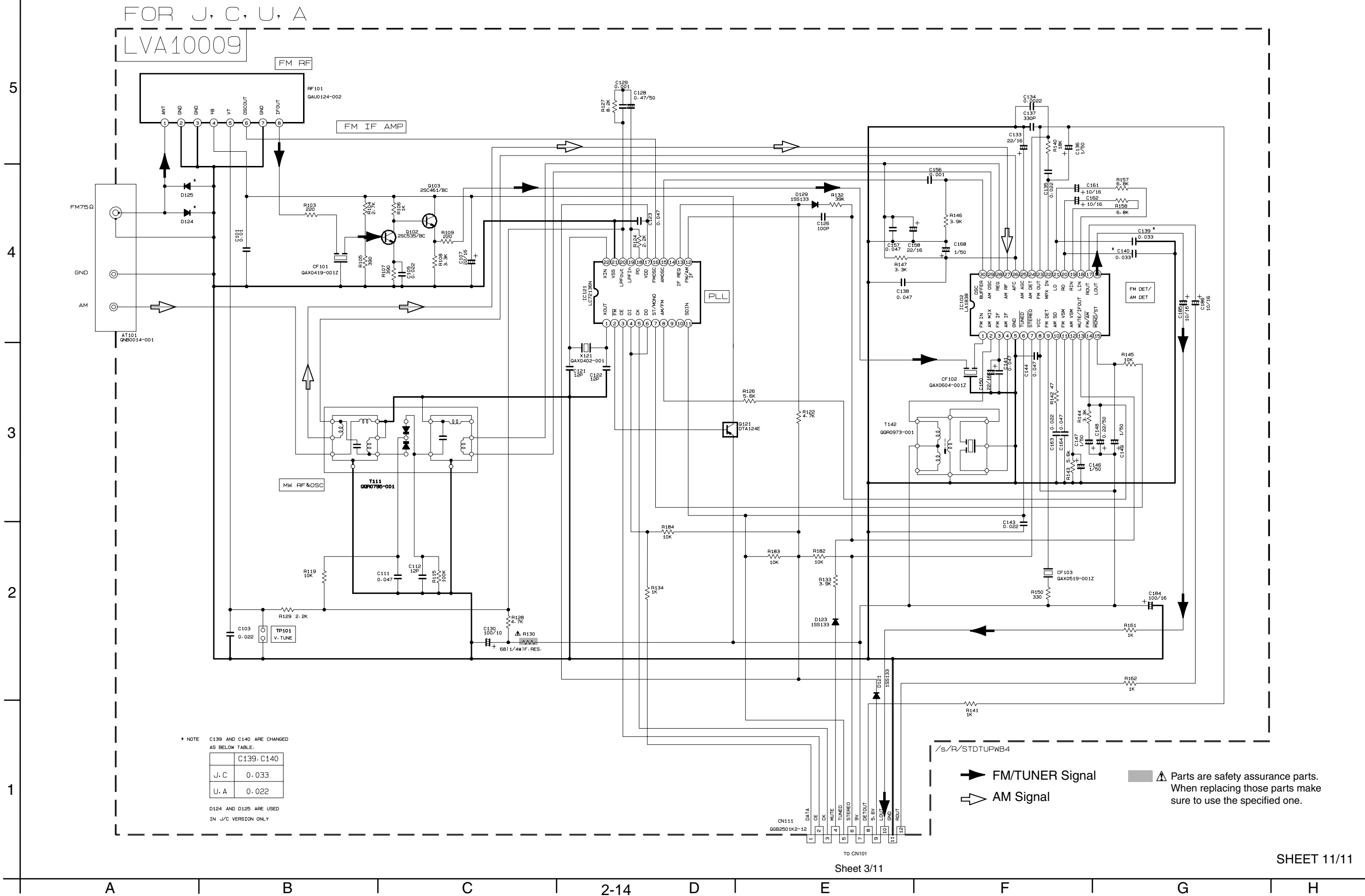
Sheet 5/11
Sheet 5/11
Sheet 4/11

Sheet 3/11

MARK	RX-8010VBK	RX-8010R	OTHERS
S427	DEM0983-0012	DEM0983-0012	-
S428	DEM0983-0012	DEM0983-0012	-
S429	DEM0983-0012	DEM0983-0012	-
S430	DEM0983-0012	DEM0983-0012	-
R427	1.5k	-	-
R428	2.2k	-	-
R429	2.7k	-	-
R430	3.9k	-	-
R431	-	7.5m	-
R432	-	7.5m	-
R433	-	7.5m	-

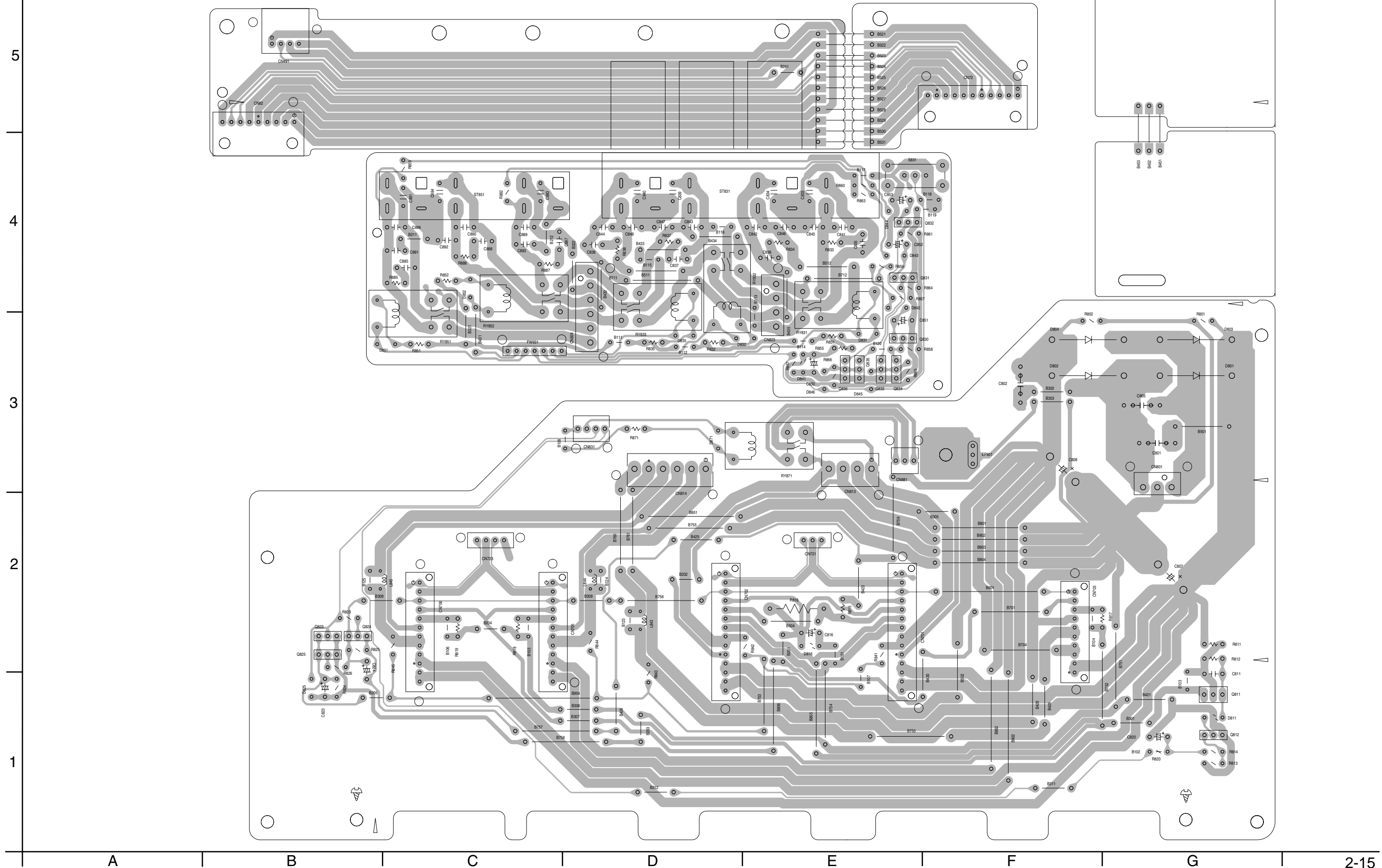
Parts are safety assurance parts. When replacing those parts make sure to use the specified one.

■ Tuner section



Printed circuit boards

■ Main board

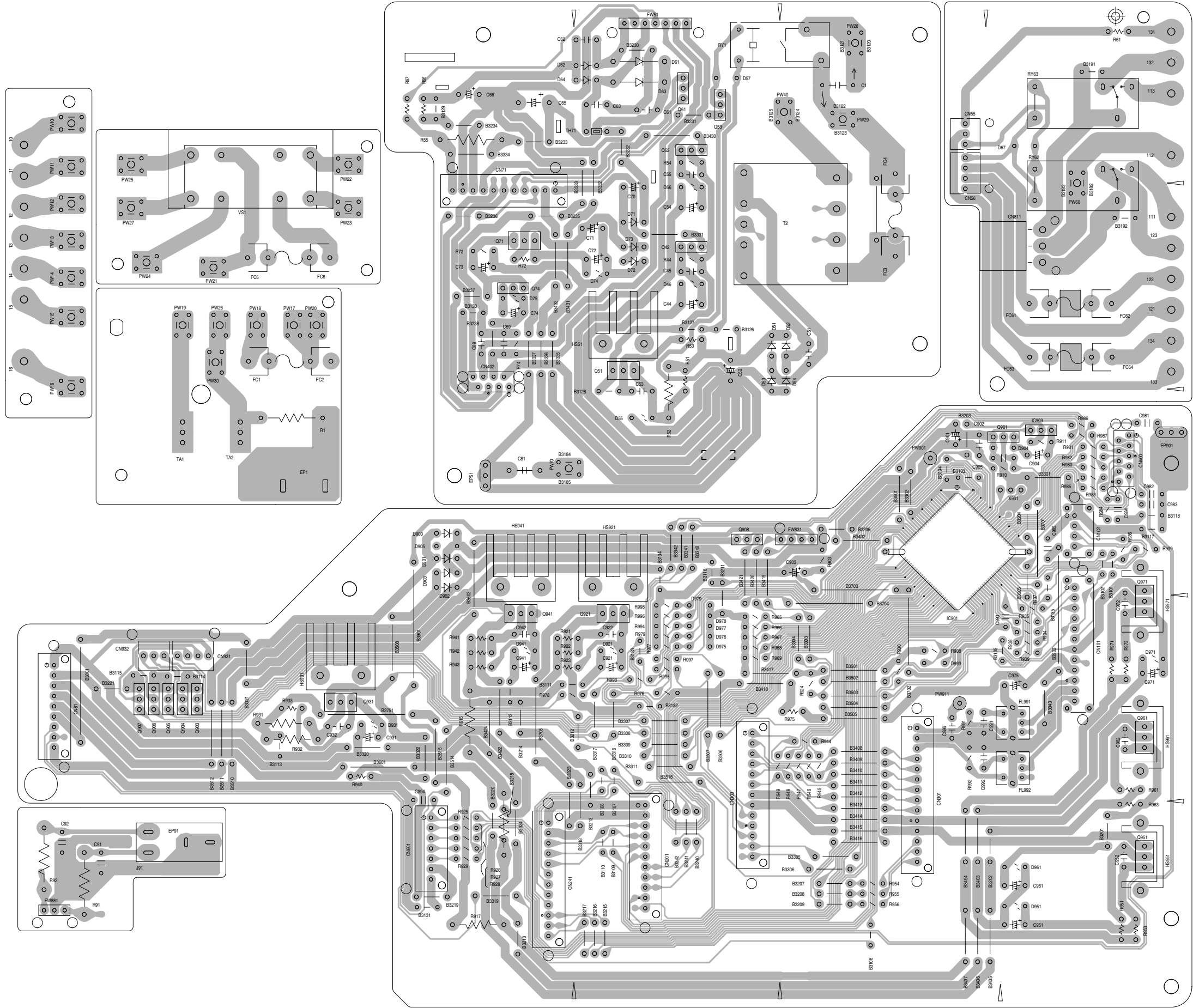


RX-8012VSL/RX-8010VBK

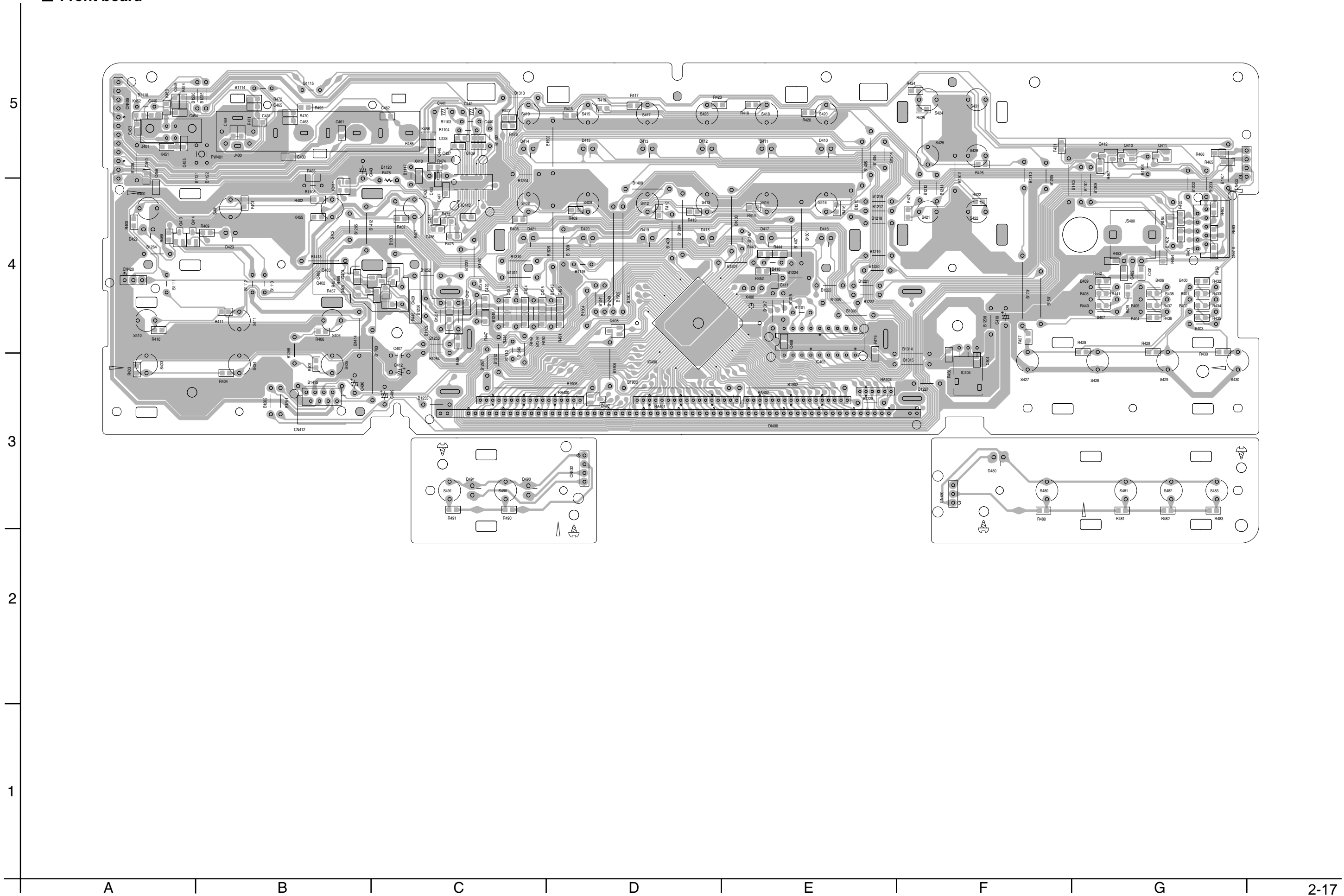
Micon board

5
4
3
2
1

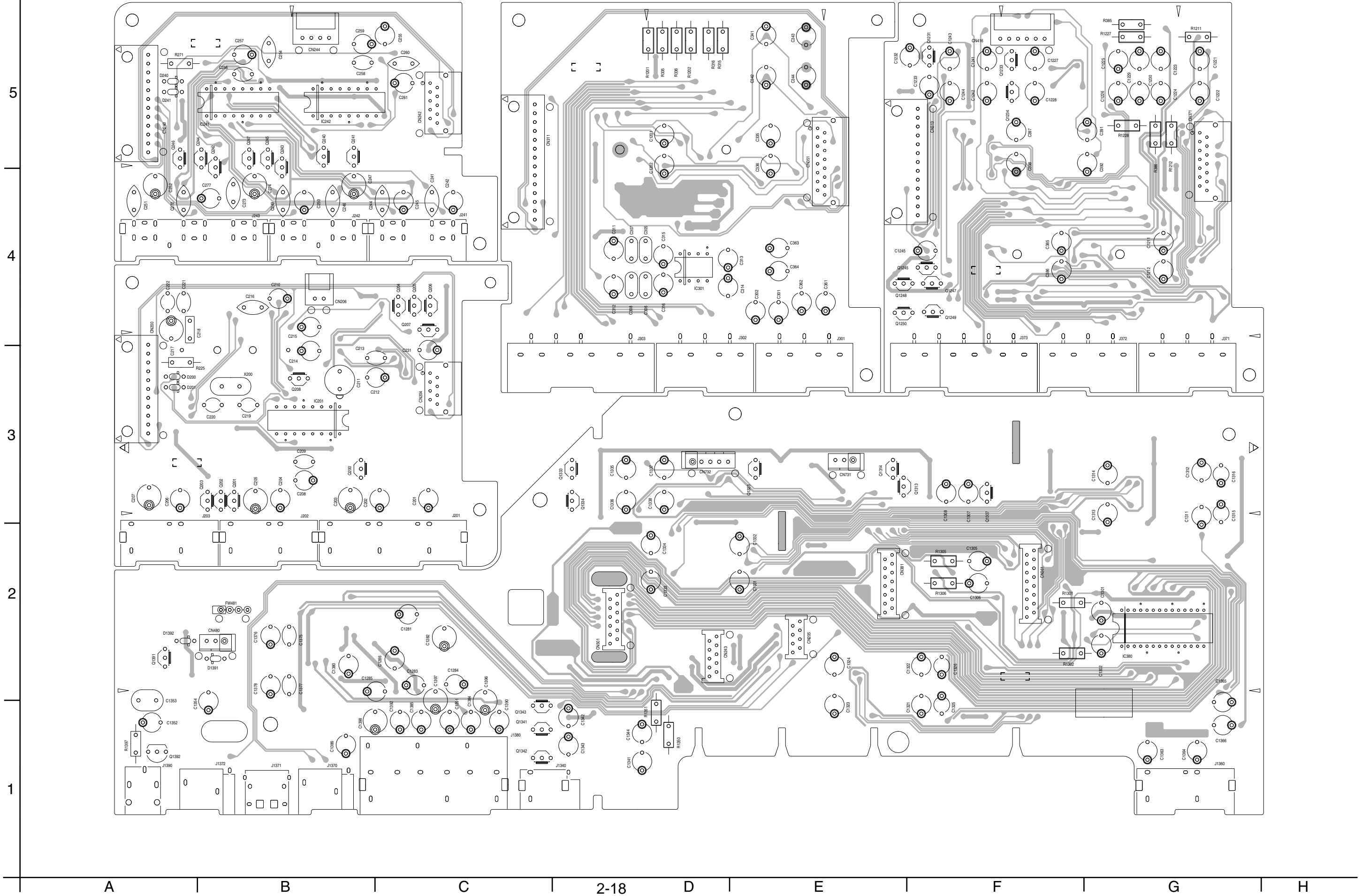
A B C 2-16 D E F G H



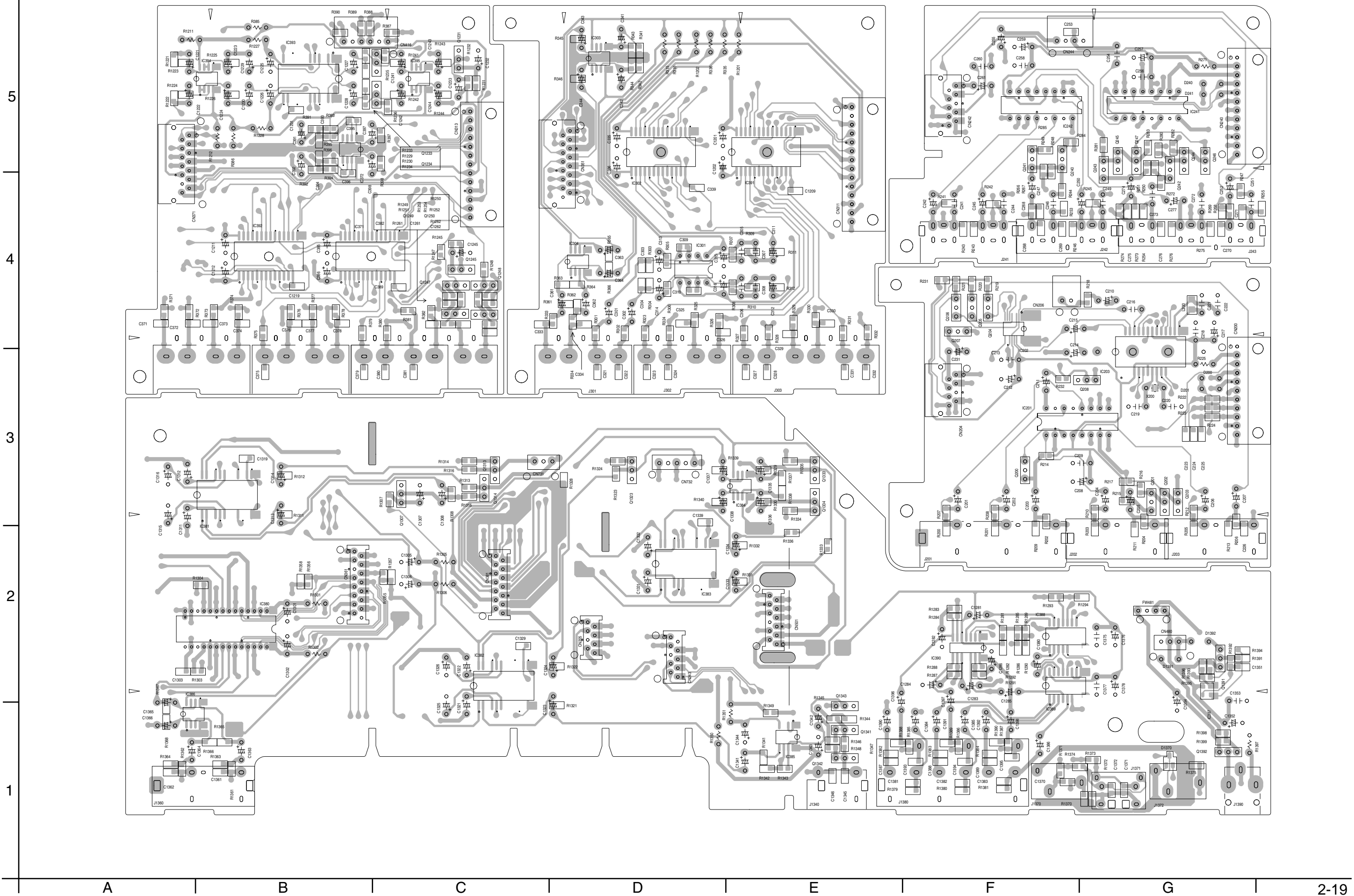
■ Front board



■ Input board (Forward side)

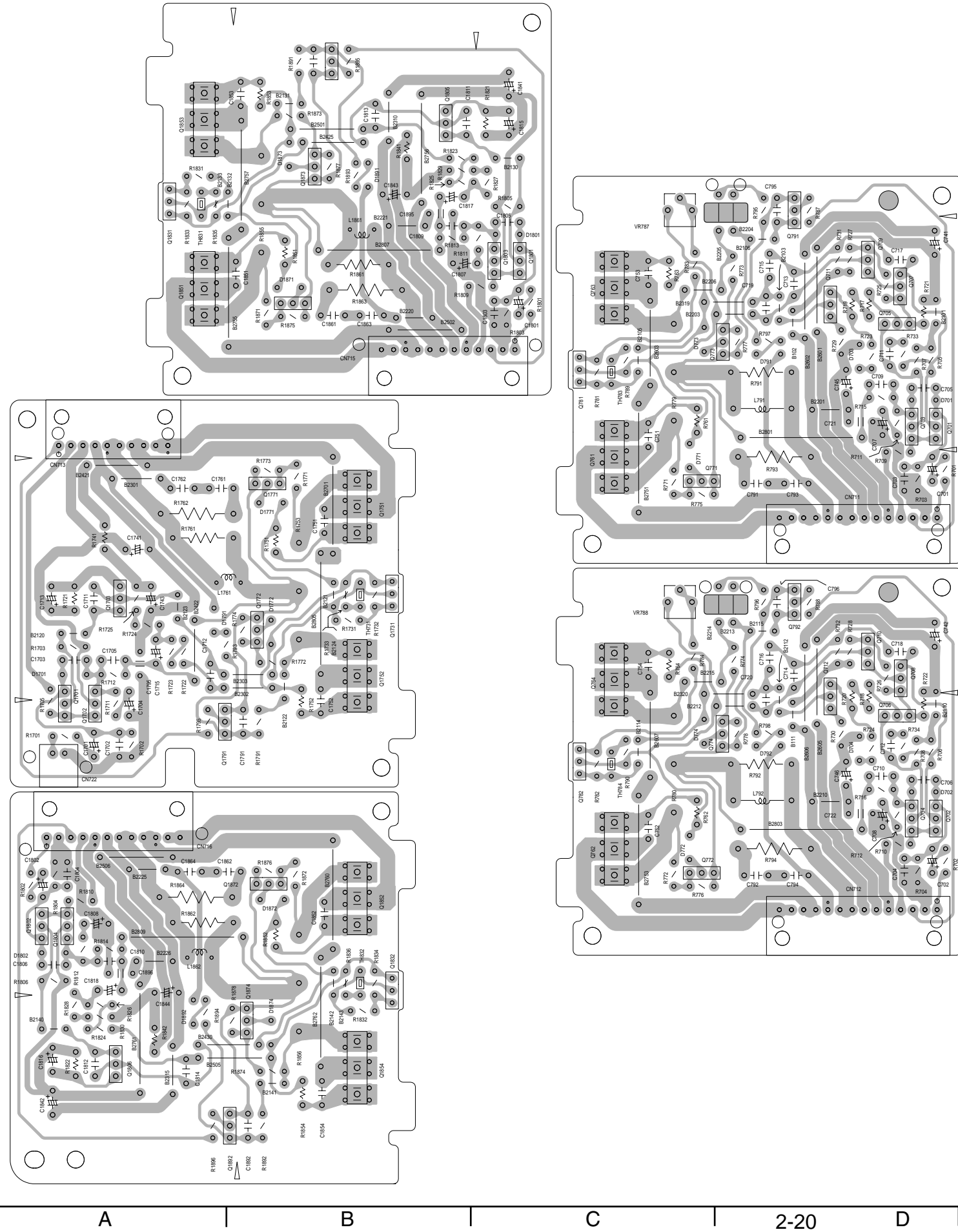


■ Input board (Reverse side)

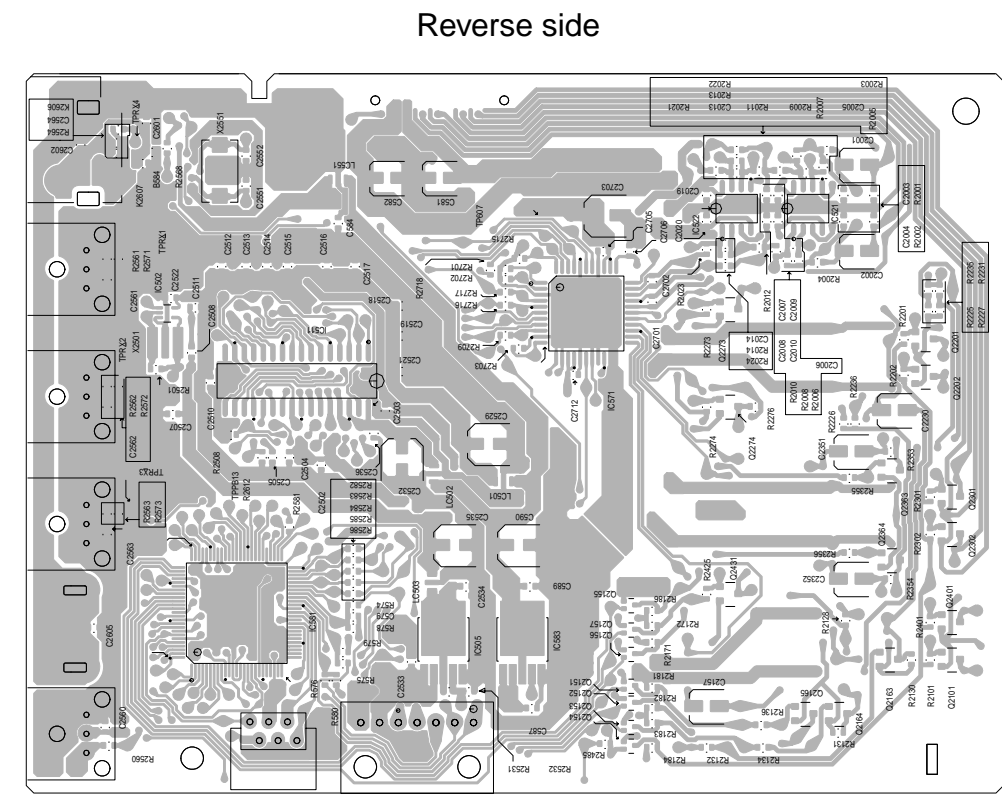
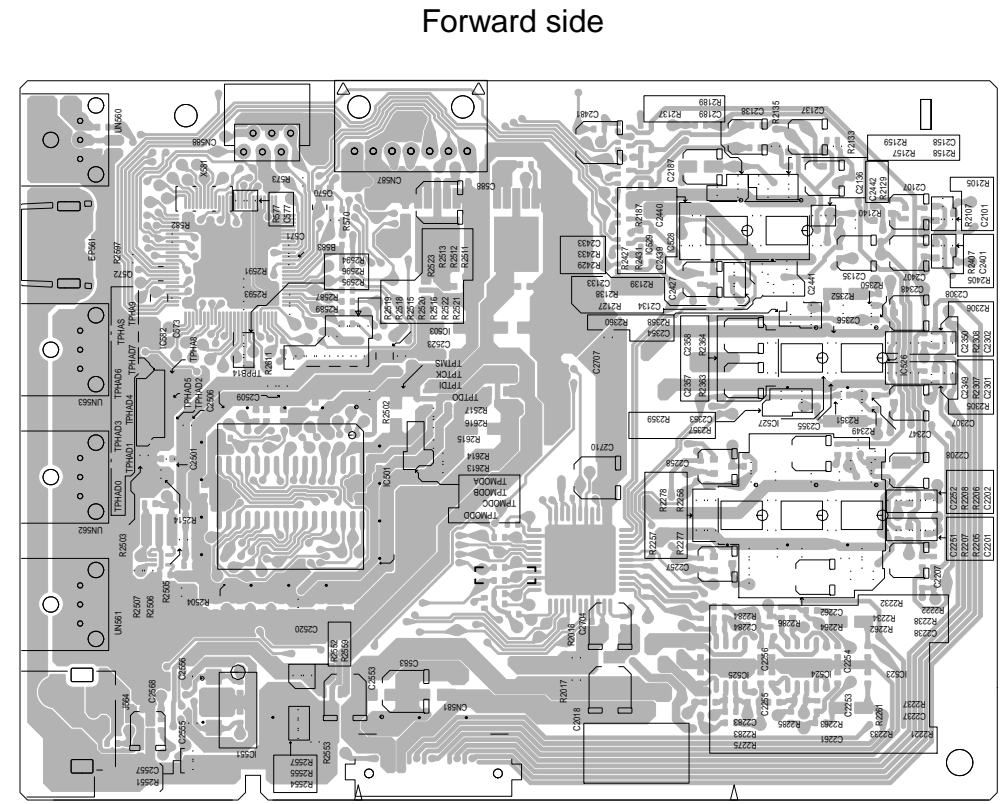


RX-8012VSL/RX-8010VBK

■ Power board



■ DSP board



■ Tuner board

